

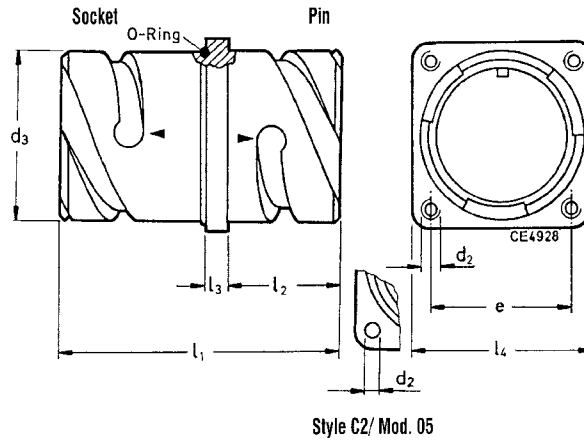
Thru - Bulkhead Receptacle

VG95234 Style **C1** resp. **TBF-B** (with threaded holes)

VG95234 Style **C2** resp. **TBF-B-05** (with flange through holes)

TBF-B designates a bulkhead receptacle with mounting flange.

Modifications see page 10



Dimensions in mm

VG95234 Part No.	Cannon Part No.	d ₂		d ₂ -0,15	e ±0,1	l ₁ ±0,7	l ₂ +0,3	l ₃ ±0,2	l ₄ ±0,3	Weight ¹⁾ g max
		C1	C2 H13							
VG95234XX-10SL-*	TBF10SL-*B-***	M4	3,20	18,20	18,20	37,50	14,20	2,80	25,40	17
-	TBF12S-*B-***	M4	3,20	21,40	20,60	37,50	14,20	3,20	28,00	24
VG95234XX-14S-*	TBF14S-*B-***	M4	3,20	24,60	23,00	37,50	14,20	3,20	30,00	29
VG95234XX-16S-*	TBF16S-*B-***	M4	3,20	27,40	24,60	37,50	14,20	3,20	32,50	34
VG95234XX-16-*	TBF16-*B-***	M4	3,20	27,40	24,60	51,40	19,00	3,20	32,50	41
VG95234XX-18-*	TBF18-*B-***	M4	3,20	30,80	27,00	51,40	19,00	4,00	35,00	49
VG95234XX-20-*	TBF20-*B-***	M4	3,20	34,20	29,40	51,40	19,00	4,00	38,00	56
VG95234XX-22-*	TBF22-*B-***	M4	3,20	37,40	31,80	51,40	19,00	4,00	41,00	61
VG95234XX-24-*	TBF24-*B-***	M4	3,70	40,90	34,90	51,40	20,60	4,00	44,50	65
VG95234XX-28-*	TBF28-*B-***	M5	3,70	46,70	39,70	51,40	20,60	4,00	50,80	76
VG95234XX-32-*	TBF32-*B-***	M5	4,30	53,40	44,50	51,40	22,20	4,00	57,00	92
VG95234XX-36-*	TBF36-*B-***	M5	4,30	59,60	49,20	51,40	22,20	4,00	63,50	103

Dimensions in inches

VG95234 Part No.	Cannon Part No.	d ₂		d ₂ -.006	e ±.004	l ₁ ±.028	l ₂ +.012	l ₃ ±.008	l ₄ ±.012	Weight ¹⁾ g max
		C1	C2 H13							
VG95234XX-10SL-*	TBF10SL-*B-***	M4	.126	.717	.717	1.476	.559	.110	1.000	17
-	TBF12S-*B-***	M4	.126	.843	.811	1.476	.559	.126	1.102	24
VG95234XX-14S-*	TBF14S-*B-***	M4	.126	.969	.906	1.476	.559	.126	1.181	29
VG95234XX-16S-*	TBF16S-*B-***	M4	.126	1.079	.969	1.476	.559	.126	1.280	34
VG95234XX-16-*	TBF16-*B-***	M4	.126	1.079	.969	2.024	.748	.126	1.280	41
VG95234XX-18-*	TBF18-*B-***	M4	.126	1.213	1.063	2.024	.748	.157	1.378	49
VG95234XX-20-*	TBF20-*B-***	M4	.126	1.346	1.157	2.024	.748	.157	1.496	56
VG95234XX-22-*	TBF22-*B-***	M4	.126	1.472	1.252	2.024	.748	.157	1.614	61
VG95234XX-24-*	TBF24-*B-***	M4	.146	1.610	1.374	2.024	.811	.157	1.752	65
VG95234XX-28-*	TBF28-*B-***	M5	.146	1.839	1.563	2.024	.811	.157	2.000	76
VG95234XX-32-*	TBF32-*B-***	M5	.169	2.102	1.752	2.024	.874	.157	2.244	92
VG95234XX-36-*	TBF36-*B-***	M5	.169	2.346	1.937	2.024	.874	.157	2.500	103

¹⁾ Weight without insulator